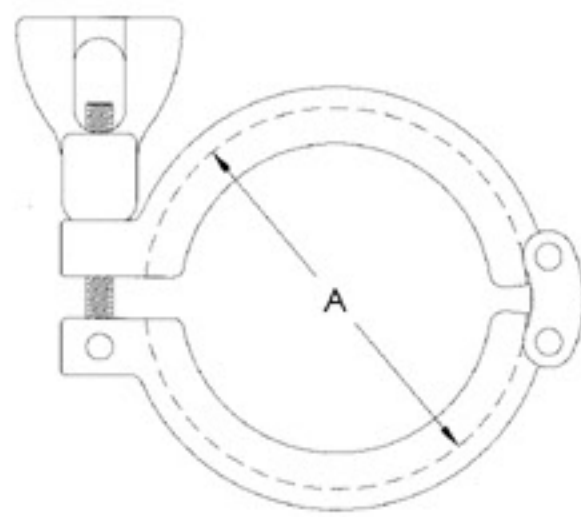
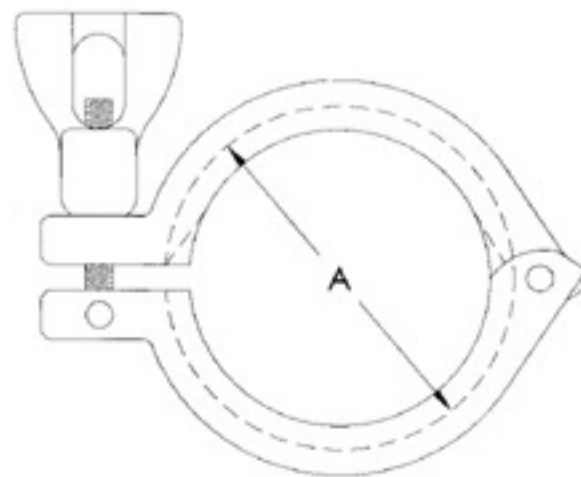


© JC-13MHHM / Heavy Duty Clamp



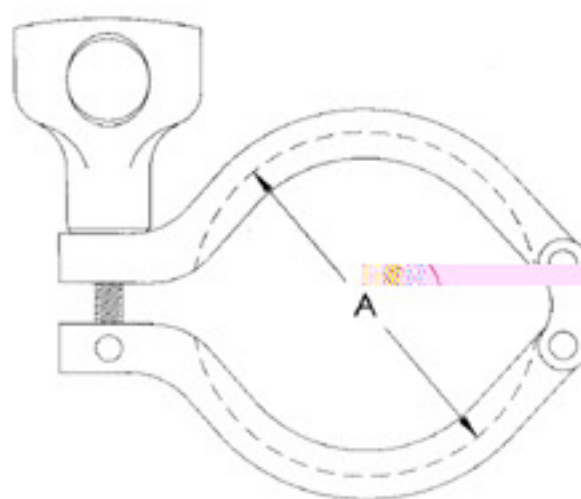
| SIZE | A |
|--------|-------|
| DN34 | 40.8 |
| 1.1/2" | 58.7 |
| 2" | 74.0 |
| 2.1/2" | 86.0 |
| 3" | 96.6 |
| 4" | 124.0 |

© 13MHM / Single Hinged Clamp



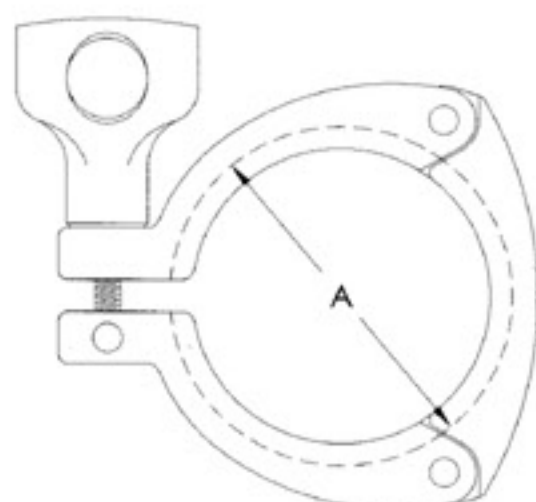
| SIZE | A |
|-----------|-------|
| 1"&1.1/2" | 53.6 |
| 2" | 67.0 |
| 2.1/2" | 80.6 |
| 3" | 94.0 |
| 3.1/2" | 109.0 |
| 4" | 122.0 |
| 4.1/2" | 134.0 |
| 5.1/2" | 158.0 |
| 6" | 170.0 |
| 6.5/8" | 186.0 |
| 8" | 221.0 |
| 8.5/8" | 236.0 |

© 13MHHM / Heavy Duty Clamp



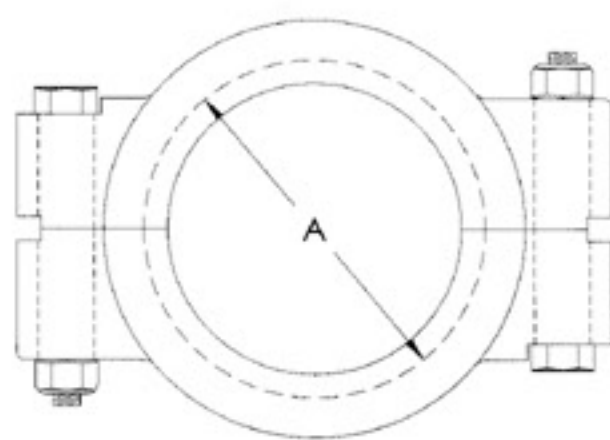
| SIZE | A |
|-----------|-------|
| 1"&1.1/2" | 53.6 |
| 2" | 67.0 |
| 2.1/2" | 80.6 |
| 3" | 94.0 |
| 4" | 122.0 |
| 6" | 169.0 |
| 8" | 221.0 |

© 13MHHS / 3-PC Clamp



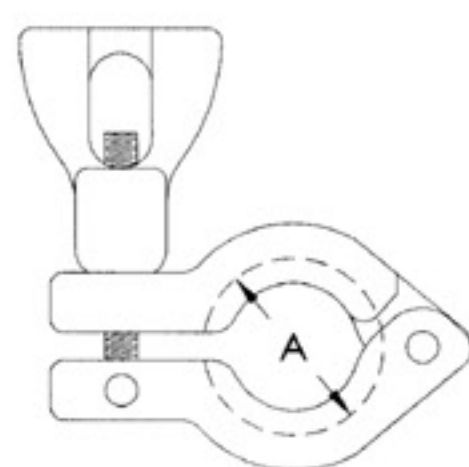
| SIZE | A |
|-----------|-------|
| 1"&1.1/2" | 54.0 |
| 2" | 67.4 |
| 2.1/2" | 81.0 |
| 3" | 94.0 |
| 4" | 122.0 |
| 10" | 272.0 |
| 12" | 322.0 |

© 13MHP / High Pressure Clamp



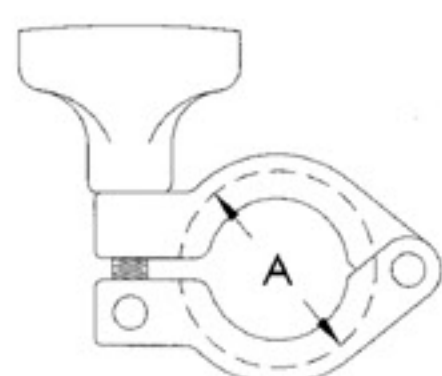
| SIZE | A |
|-----------|-------|
| 1"&1.1/2" | 52.0 |
| 2" | 65.5 |
| 2.1/2" | 79.0 |
| 3" | 92.4 |
| 4" | 120.5 |

© 13MHM / Mini Clamp



| SIZE | A |
|-------------|------|
| 1/2" & 3/4" | 28.0 |

© 13MHHS / Mini Clamp



| SIZE | A |
|-----------|------|
| 1/2"&3/4" | 28.6 |